

Dulcodes LP Food & Beverage

Chemical-free disinfection of production water for the food and beverage industry!



ProMinent®

ProMinent introduces the new **Dulcodes LP** Thin-Layer UV system for the Food & Beverage Market. This highly efficient system uses minimal energy by reducing the number of lamps needed for disinfection purposes.

The hygienic design of the UV chamber optimizes flow that results in even doses of radiation across the lamp resulting in minimal pressure losses.

The **Dulcodes LP** can be controlled over a wide temperature range and automatically adapts to changing flows. The Vario-Flux lamps offer long service life, high UV output and minimal energy consumption

Features & Benefits

- Efficient, safe and chemical-free disinfection of product water in the food and beverage industry
- Hygienic design without gaps and dead space, tri-clamp connectors, surface roughness Ra <0.8 internal and external, FDA-compliant materials
- Adapted disinfection with varying flows and water temperatures
- Increased flow output with a minimum number of lamps and minimum pressure loss
- Reduced operating costs due to the long service life of Vario-Flux high-output lamps with low energy consumption and high UV output

Applications

- Food and beverage production

Certifications

- Electrical Certification: UL 508A, CSA C22.2 No. 14



Dulcodes LP Food & Beverage

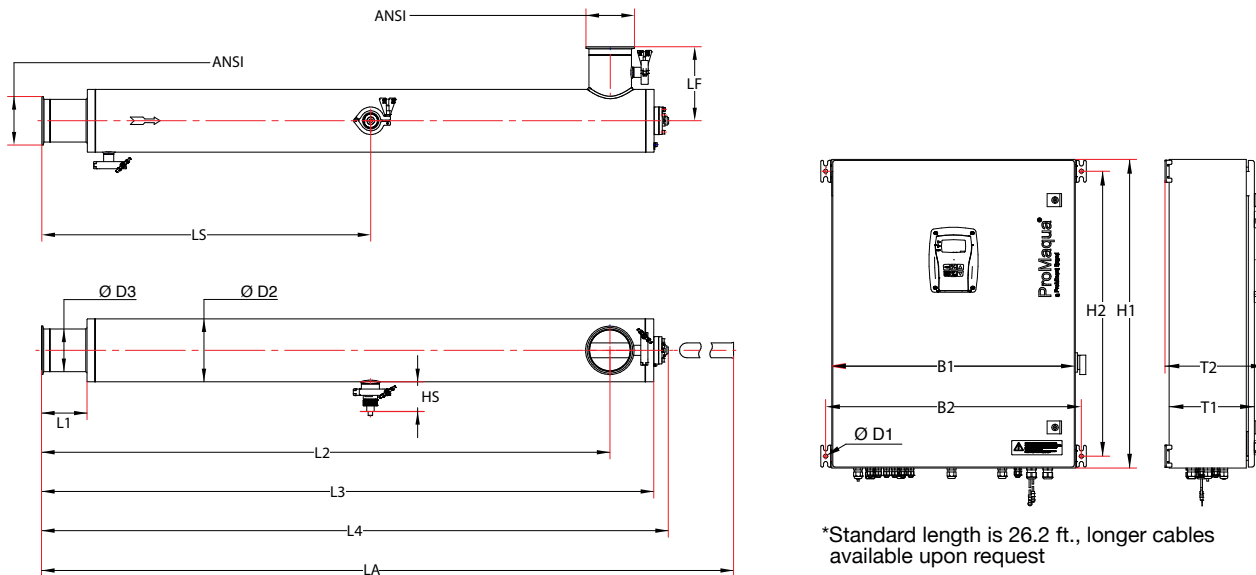
Technical data

Lamp type..... Vario-Flux low pressure lamp
Controller type Comfort controller
Permissible operating pressure 145.3 psi
Permissible ambient temperature... 41-104 °F
Permissible water temperature..... 35.6-158 °F
Enclosure rating..... IP 66

Technical Data								
Model	# of Lamps	Max Flow	Lamp Power	Connected load	Reactor length	Minimum clearance for service	Tri-clamp connector width	
							gpm	W
1x350LP	1	9	370	430	64.6	57.7	6.6	4"
2x350LP	2	25	2 x 370	835	64.6	57.7	10.0	6"
3x230LP	3	43	3 x 370	1,240	74.2	61.6	12.8	8"

Note: Additional flange sizes available upon request based on flow range and pipe velocity. All dimensions/ weights are approximates. UV System flow rates sized for 95% UVT

Drawings



Model	ANSI	B1	B2	H1	H2	T1	T2	Ø D1	Ø D2	Ø D3	HS	L1	L2	L3	L4	LS	LF	LA
1x350W	4"	23.6	24.8	29.9	27.6	8.3	9.7	.40	6.6	4.5	3.2	4.8	59.9	64.6	66.1	34.7	7.8	122.2
2x350W	6"	23.6	24.8	29.9	27.6	8.3	9.7	.40	10.1	6.6	3.2	4.8	58.9	64.6	66.1	34.7	9.5	122.2
3x350W	8"	23.6	24.8	29.9	27.6	8.3	9.7	.40	12.8	8.6	3.2	5.1	67.5	73.0	75.7	39.6	10.9	135.8

Note: All above measurements are in inches.